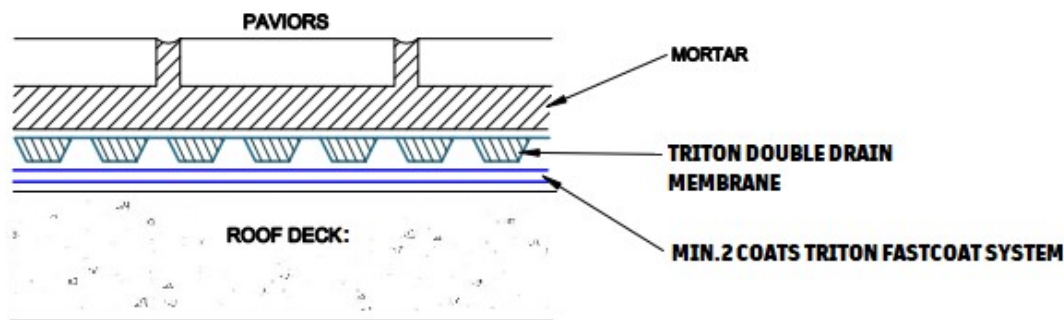
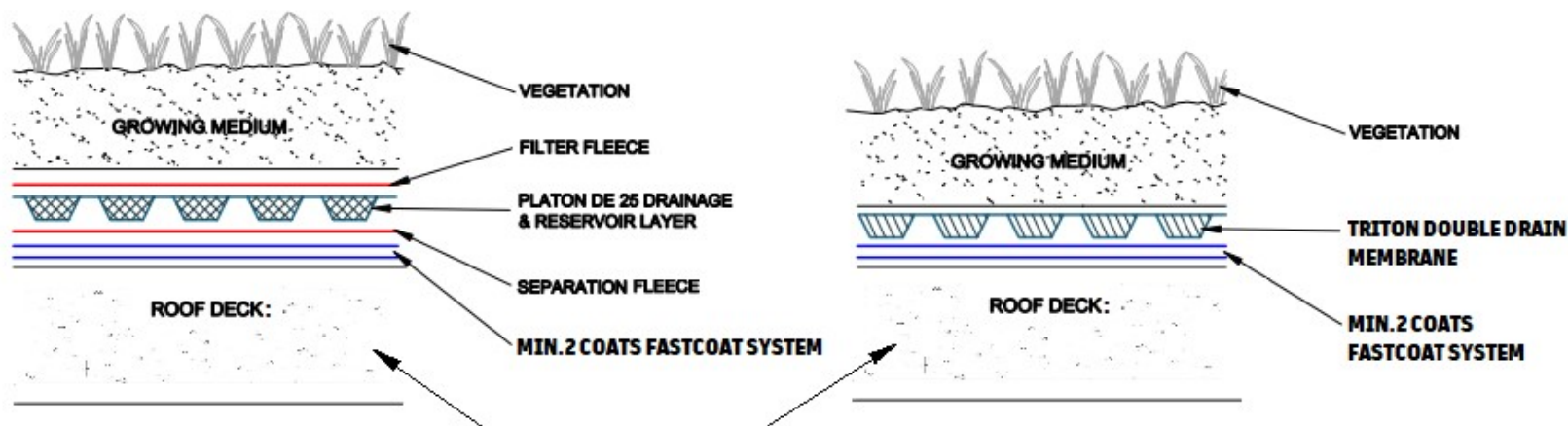


**APPLICATION TO FLAT, LEVEL DECKS IS NOT ADVISED.
THE SUBSTRATE SHOULD ALWAYS RUN TO A FALL AWAY
FROM THE BUILDING LINE**



**IF ROOF DECK IS CONCTETE AND RUNS TO A FALL - DIRECT APPLICATION ADVISED
IF ROOF DECK IS BLOCK AND BEAM - A SCREED TO FALLS SHOULD BE LAID FIRST.**



**IF ROOF DECK IS CONCTETE AND RUNS TO A FALL - DIRECT APPLICATION ADVISED
IF ROOF DECK IS BLOCK AND BEAM - A SCREED TO FALLS SHOULD BE LAID FIRST.**

TRITON

www.tritonsystems.co.uk

Triton Systems

Units 3 - 5 Crayford Commercial Centre
Greyhound Way, Crayford, Kent. DA1 4HF

Telephone: **01322 318830**

Fax: **01322 524017**

Email: Info@tritonsystems.co.uk

Web: www.tritonsystems.co.uk

THIS DRAWING IS THE PROPERTY OF TRITON SYSTEMS AND MUST NOT
BE LOANED OR COPIED WITHOUT PRIOR WRITTEN CONSENT

© 2012 TRITON SYSTEMS

NOTE

ALL INSTALLATION TO BE CARRIED OUT IN STRICT ACCORDANCE WITH
MANUFACTURERS INSTALLATION INSTRUCTIONS. FOR FURTHER
ASSISTANCE CONTACT TRITON TECHNICAL ON THE TELEPHONE
NUMBER ABOVE.

REV.	MOD. BY	DATE	CHK. BY	APP. BY
Alterations				

TITLE:
**TRITON ROOF OPTIONS
FASTCOAT SYSTEM**

DRG. No. TDECK-003-1 **REV** 1

DRAWN	JDF, CBS	System Files: TDECK-003-1.pdf TDECK-003-1.dwg
DATE	6th March 2023	
SCALE (A3)	Not To Scale	
CHECKED		
APPROVED		