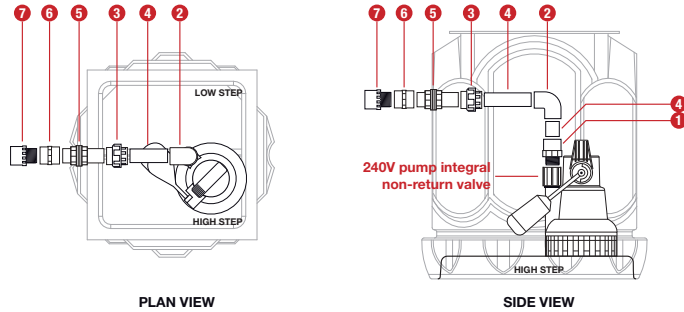


AquaPump Pro Single and twin pump configuration

AquaPump Pro

Single pump configuration

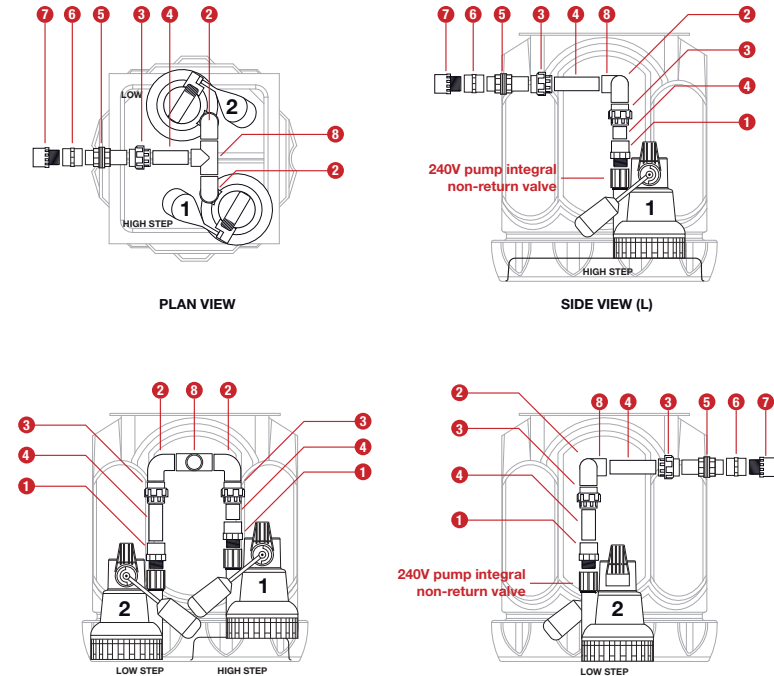
Supplied with Pipework Kit A (AA/2226T)



AquaPump Pro Plus

Twin pump, single discharge configuration

Supplied with Pipework Kit A (AA/2226T) and Pipework Kit B (AA/2221T)



Position	Qty	Part description	Qty supplied in Kit A	Part code
1	1	PVC 1 1/4" Male Threaded Adaptor	1	8023
2	1	PVC 1 1/4" Elbow PL/PL (90degree)	1	8022
3	1	PVC 1 1/4" Socket Union PL/PL	1	8027
4	1	PVC 1 1/4" Class E Pressure Pipe 0.5mtr	1	8024L
5	1	PVC 1 1/4" Tank Connector	1	8028
6	1	PVC 1 1/4" to 1 1/2" Female TH/TH Reducer	1	8528
7	1	40mm Male Iron	1	9051

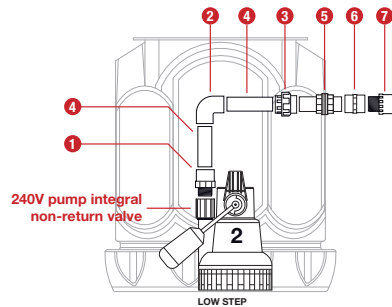
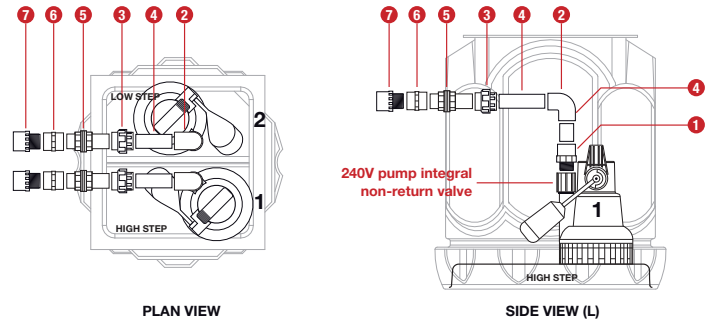
Position	Qty	Part description	Qty supplied in Kit A	Qty supplied in Kit B	Part code
1	2	PVC 1 1/4" Male Threaded Adaptor	1	1	8023
2	2	PVC 1 1/4" Elbow PL/PL (90degree)	1	1	8022
3	3	PVC 1 1/4" Socket Union PL/PL	1	2	8027
4	2	PVC 1 1/4" Class E Pressure Pipe 0.5mtr	1	1	8024L
5	1	PVC 1 1/4" Tank Connector	1	0	8028
6	1	PVC 1 1/4" to 1 1/2" Female TH/TH Reducer	1	0	8528
7	1	40mm Male Iron	1	0	9051
8	1	PVC 1 1/4" Tee Piece	0	1	8032

AquaPump Pro Single and twin pump configuration

AquaPump Pro Plus

Twin pump, twin discharge configuration

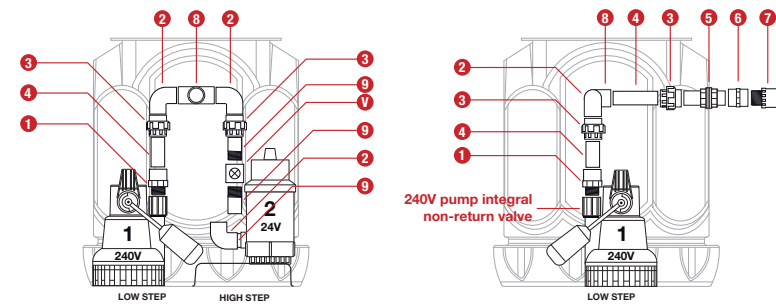
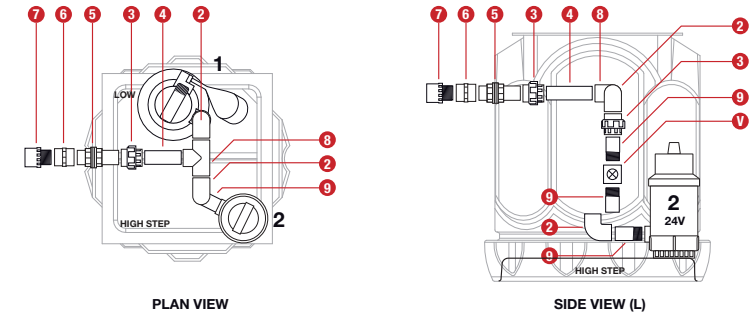
Supplied with Pipework Kit A (AA/2226T) and Pipework Kit C (AA/2222T)



AquaPump Pro BBPS

Single pump + BBPS pump, single discharge configuration

Supplied with Pipework Kit A (AA/2226T) and Pipework Kit D (AA/2223T)



Position	Qty	Part description	Qty supplied in Kit A	Qty supplied in Kit C	Part code
1	2	PVC 1 ¼" Male Threaded Adaptor	1	1	8023
2	2	PVC 1 ¼" Elbow PL/PL (90degree)	1	1	8022
3	2	PVC 1 ¼" Socket Union PL/PL	1	1	8027
4	2	PVC 1 ¼" Class E Pressure Pipe 0.5mtr	1	1	8024L
5	2	PVC 1 ¼" Tank Connector	1	1	8028
6	2	PVC 1 ¼" to 1 ½" Female TH/TH Reducer	1	1	8528
7	2	40mm Male Iron	1	1	9051

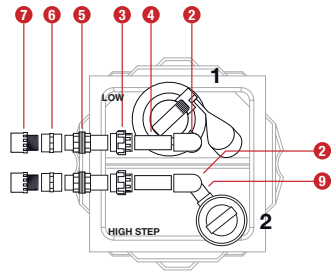
Position	Qty	Part description	Qty supplied in Kit A	Qty supplied in Kit D	Part code
1	1	PVC 1 ¼" Male Threaded Adaptor	1	0	8023
2	3	PVC 1 ¼" Elbow PL/PL (90degree)	1	2	8022
3	3	PVC 1 ¼" Socket Union PL/PL	1	2	8027
4	2	PVC 1 ¼" Class E Pressure Pipe 0.5mtr	1	1	8024L
5	1	PVC 1 ¼" Tank Connector	1	0	8028
6	1	PVC 1 ¼" to 1 ½" Female TH/TH Reducer	1	0	8528
7	1	40mm Male Iron	1	0	9051
8	1	PVC 1 ¼" Tee Piece	0	1	8032
9	3	PVC 1 ¼" PL/TH Barrel Nipple	0	3	8026
V	1	1 ¼" brass non-return valve supplied with full BBPS kit	0	0	-

AquaPump Pro Single and twin pump configuration

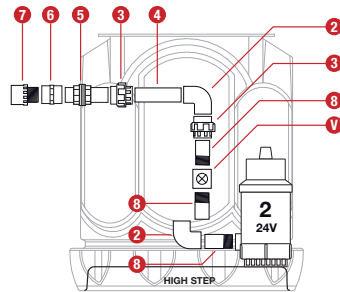
AquaPump Pro BBPS

Single pump + BBPS pump, twin discharge configuration

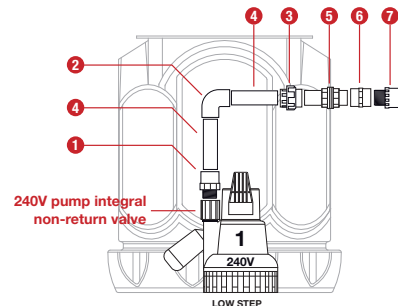
Supplied with Pipework Kit A (AA/2226T) and Pipework Kit E (AA/2224T)



PLAN VIEW



SIDE VIEW (L)



240V pump integral non-return valve

LOW STEP

Position	Qty	Part description	Qty supplied in Kit A	Qty supplied in Kit E	Part code
1	1	PVC 1 ¼" Male Threaded Adaptor	1	0	8023
2	3	PVC 1 ¼" Elbow PL/PL (90degree)	1	2	8022
3	3	PVC 1 ¼" Socket Union PL/PL	1	2	8027
4	2	PVC 1 ¼" Class E Pressure Pipe 0.5mtr	1	1	8024L
5	2	PVC 1 ¼" Tank Connector	1	1	8028
6	2	PVC 1 ¼" to 1 ½" Female TH/TH Reducer	1	1	8528
7	2	40mm Male Iron	1	1	9051
8	3	PVC 1 ¼" PL/TH Barrel Nipple	0	3	8026
V	1	1 ¼" brass non-return valve supplied with full BBPS kit	0	0	-