



Triton PIV Wall

Wall-mounted Positive Input Ventilation Unit to help provide whole home ventilation, condensation dampness control and Radon gas control.

- **Ultra-quiet**
- **Very low running costs**
- **Wide operating range**
- **Various control options**

Application

The **Triton PIV Wall** is a wall-mounted ultra-quiet, low energy, low maintenance, home ventilation unit, designed to help ventilate a home using the well-established 'Positive Input Ventilation (PIV)' principle. PIV units have been preventing and curing condensation dampness related problems in homes for decades. They are also used to control other indoor air pollutants and have even proven to be an effective means for reducing Radon gas in some properties.

Operation

External air is drawn into the **Triton PIV Wall** unit and passes through a filter before entering the home. The filtered air is typically supplied at ceiling level in a location central to the home i.e. the hallway where it mixes with the otherwise wasted warm air that gathers at ceiling level due to stack effect. Integral controls allow the **Triton PIV Wall** unit to be set to suit the individual requirements of the home. Airflow from the unit to the home is automatically regulated via an integral temperature sensor which optimises the energy benefit of the unit while ensuring that sufficient air is always supplied to help control moisture and other pollutant levels in the home.

Features/Benefits

Unique design – allowing for simple multi handed configuration

Discreet – unit designed to blend well with any home

Low energy – ultra-low quiet fan/motor assembly

Robust – fan casing construction built to last

Low maintenance – large G2 grade filter

Integral, multi-functional controls – wide airflow and temperature settings which allow the unit to be fine-tuned to suit the individual requirements of a home and its occupants. These controls include:

- 6 settings to choose from to suit the size, layout, thermal properties and moisture production in the home
- 'Comfort Control' mode function with adjustable trigger temperature setting and adjustable decreased airflow setting
- 'Override Boost' mode to operate the unit at its maximum airflow by means of a user switch

Warranty – each Triton PIV Wall has a 5 Year Warranty as standard.

PERFORMANCE DATA

Unit Settings

The unit setting is selected by the installer to suit the size, layout, thermal properties and moisture production in the home.

Unit Setting	Spigot Outlet (5m duct 2x bends)		Grille Outlet	
	Flow Rate	Watts	Flow Rate	Watts
1	13	3.7	14	4.5
2	17	4.8	17	5.2
3 (default)	21	6.4	21	6.9
4	25	9.2	25	9.3
5	29	11.1	29	12.7
6	33	16.8	34	16.8

The power consumption shown is for the PIV unit running in Normal mode.

Modes

Normal – the unit will run in this mode for the vast majority of its operational time until the unit's integral temperature sensor switches it to 'Heat Recovery' or 'Standby' mode or the 'Override Boost' mode (if connected via a suitable switch) is activated by the occupants.

Comfort Control – the unit will decrease in speed when the supply air temperature reaches the 'Comfort Control' trigger temperature. This can save energy, increase the service intervals and prevent undesirable warm air being introduced unnecessarily into the home e.g. during hot summer days.

Override Boost – the unit's automatic controls can be overridden to operate the unit at its maximum airflow by means of a user switch hard wired to the relevant connections within the unit.

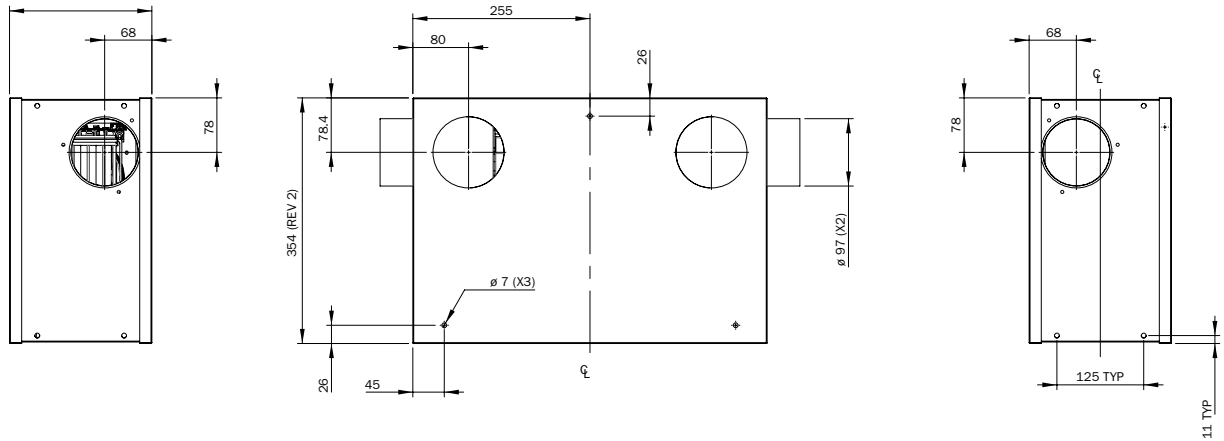
Grille

An optional flat end panel grille is supplied as standard with the Triton PIV Wall.

Installation Types



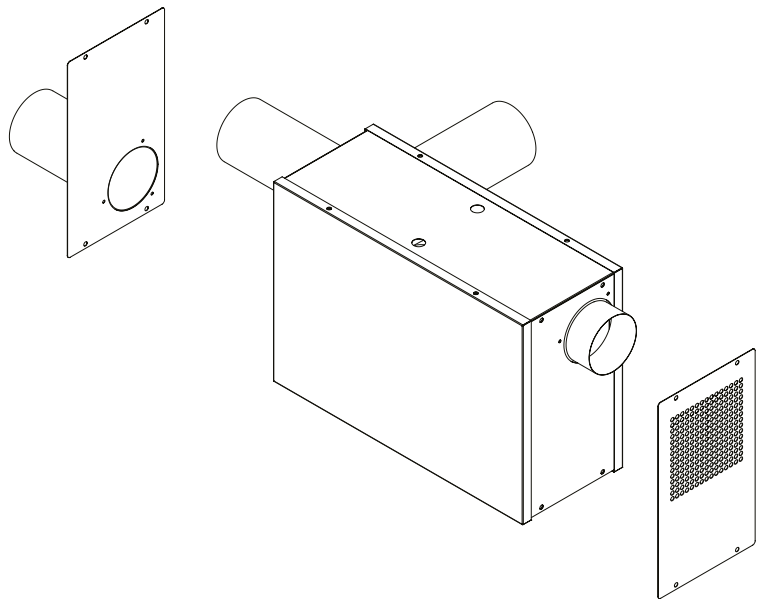
Dimensional Data



Dimensions in mm.

Note: The unit can be configured on site to suit multiple installation options. These include:

- Top left spigot inlet, top right spigot outlet
- Top right spigot inlet, top left spigot outlet
- Rear inlet, top right spigot outlet
- Rear inlet, top left spigot outlet
- Top left spigot inlet, top right unit grille outlet
- Top right spigot inlet, top left unit grille outlet
- Rear inlet, top right unit grille outlet
- Rear inlet, top left unit grille outlet



Triton Contact Details:

Triton Systems
Units 3 – 5 Crayford Commercial Centre, Greyhound Way, Crayford, Kent DA1 4HF

Tel: 01322 318 830

Fax: 01322 524 017

Email: info@tritonsystems.co.uk

www.tritonsystems.co.uk