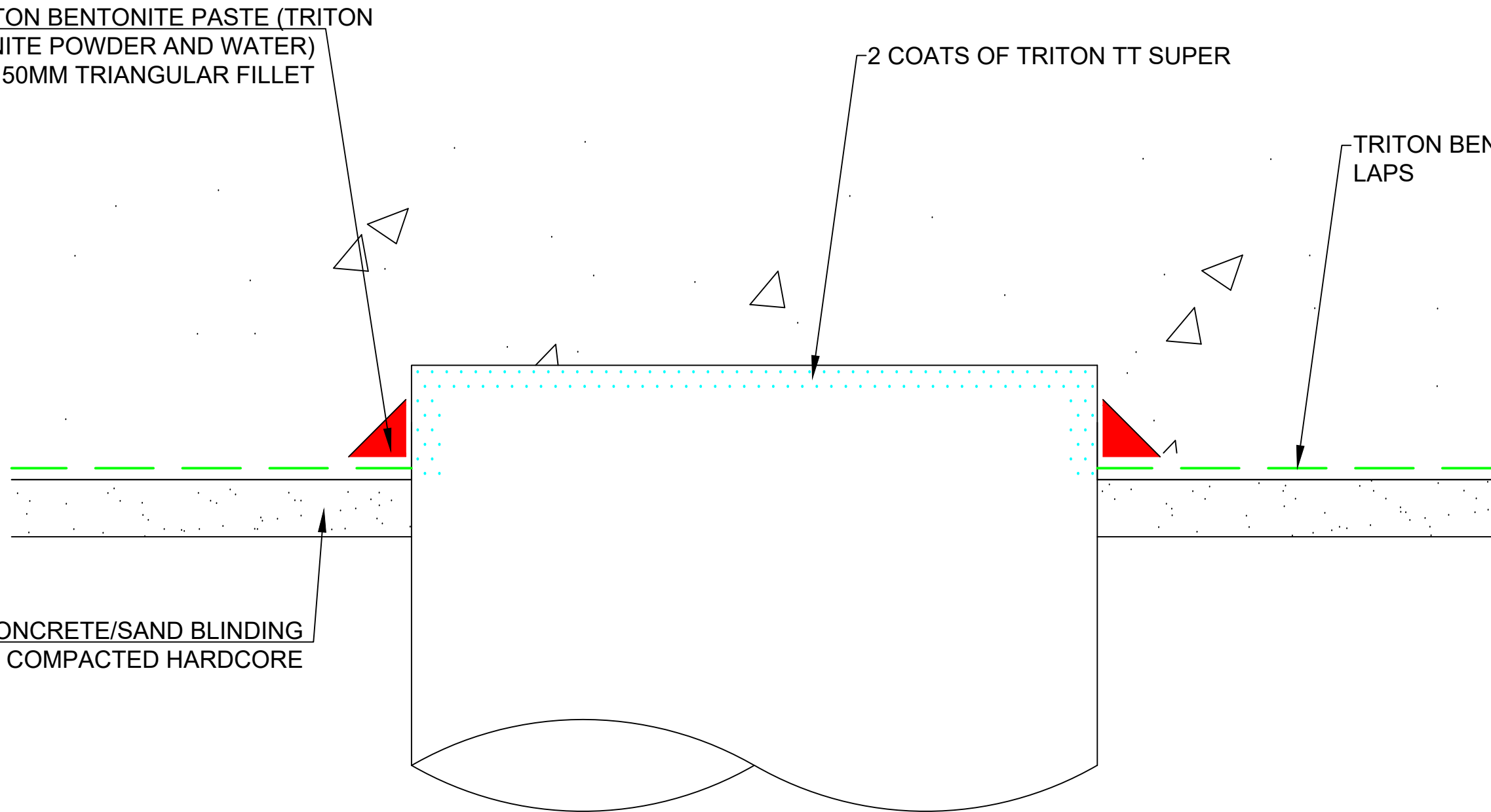


TRITON BENTONITE PASTE (TRITON BENTONITE POWDER AND WATER)
50MM X 50MM TRIANGULAR FILLET

2 COATS OF TRITON TT SUPER

TRITON BENTOFIX 5300, 100MM LAPS

50MM CONCRETE/SAND BLINDING
OR COMPACTED HARDCORE



NOTES

TRITON SYSTEMS ARE SUPPLIERS OF BUILDING AND CIVIL ENGINEERING PRODUCTS AND OFFER A DESIGN AID SERVICE ONLY.

ALL INFORMATION SHOWN ON THIS DRAWING IS PROVIDED IN GOOD FAITH AND IS BASED ON THIRD PARTY TECHNICAL LITERATURE AND BEST PRACTICE GUIDELINE.

THIS DRAWING SHOULD NOT BE USED FOR CONSTRUCTION PURPOSES UNLESS IT HAS BEEN SIGNED OFF BY A DESIGN TEAM MEMBER.

Project Title

BENTONITE STANDARD DETAILS

Drawing Title

TYPICAL PILE HEAD BENTOFIX SEALING WATERPROOFING
DETAIL WITH TRITON TT SUPER



Units 3-5
Crayford Commercial Centre
Greyhound Way
Crayford
DA1 4HF
Tel: 01322318830
www.tritonsystems.co.uk

Drawn By

OR

Drawing No.

006

Date

14/02/2018

Rev

Checked by

Checked Date