



The National BIM Library

BIM Object Guide: Triton Aqua Pump Pro Plus Kit



Version 1.0

3rd December 2012

www.nationalBIMlibrary.com

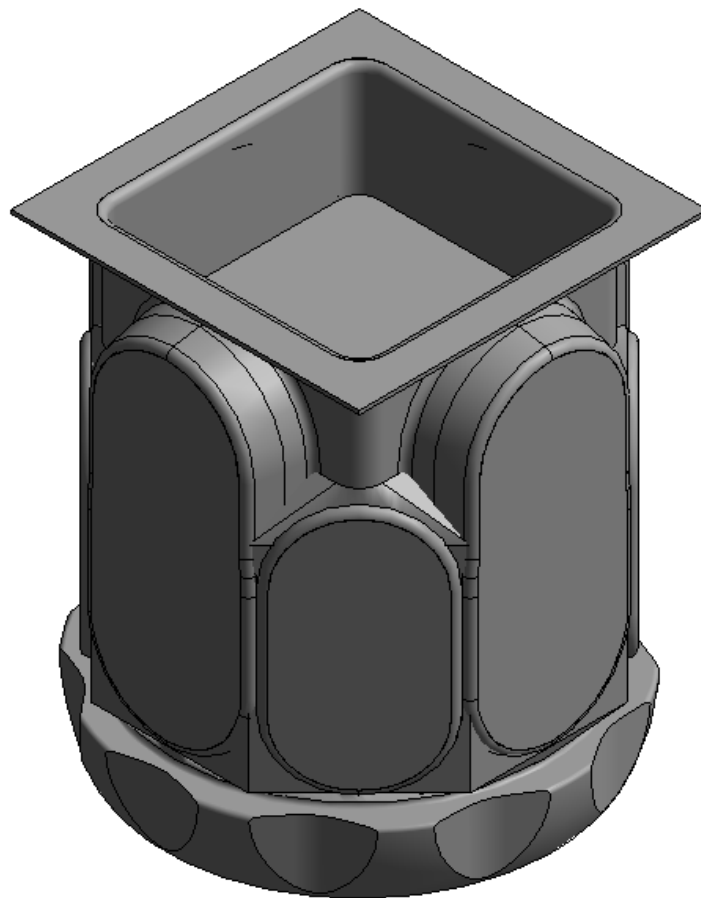
Table of Contents

1.0 Introduction	3
1.1 Naming	4
2.0 Parameters.....	4
2.1 National BIM Library Parameters	5
2.2 Manufacturers Parameters.....	5
2.3 IFC Parameters	6
2.4 COBie Parameters.....	8
3.0 Abbreviations	10

1.0 Introduction

This guide covers the use of Triton Systems Aqua Pump Pro Plus Kit included within the National BIM Library.

Triton Aqua Pump Pro Plus Kit



All products listed below are included in the following file:
nbl_TritonSystems_AquaPumpProPlusKit

Triton Aqua Pump Pro Plus Kit

1.1 Naming

National BIM Library objects are named to identify their type and configuration. Fields are segregated using an under bar (_) and information within each field is segregated using hyphens (-). Fields are abbreviated to reduce characters and capitals used at the start of each abbreviation to aid readability.

File name and objects are named as below:

File name

Field1 *Author_***Field2** *Category_***Field3** *Manufacturer_***Field4** *Product Range*

Object

Field1 *Author_***Field2** *Manufacturer_***Field3** *Product*

2.0 Parameters

Parameters included in the National BIM Library Triton Systems Aqua Pump Pro Plus Kit BIM object are as follows:

2.1 National BIM Library Parameters

Author	Authors Name.
BIMObjectName	Name of the BIM object as it will appear in Software. Using NBL naming procedure.
Description	The full description of a product or system.
Help	National BIM Library website.
IssueDate	The date the object goes live.
Manufacturer URL	Manufacturer's main website link.
NBSDescription	NBS Uniclass title.
NBSReference	NBS Uniclass section/clause number.
Version	The version number of the object.

2.2 Manufacturers Parameters

DischargePipe	Diameter of discharge pipe. Measured in [mm]
PumpCapacity	The volume of liquid a pump is capable of moving during a specified period of time. Measured in [litres/min]

2.3 IFC Parameters

Note: IFC definitions have been obtained from BuildingSmart IFC2x3 website (<http://buildingsmart-tech.org>).

Casing Material	Main material of the casing.
Connection Size	Size of the connection expressed in units of mm [mm]
ElectricalDeviceNominalPower	The output power rating that is certified for a device.
FlowRateRange	Allowable range of volume of fluid being pumped against the resistance specified.
FlowResistanceRange	Allowable range of frictional resistance against which the fluid is being pumped.
HasProtectiveEarth	Indicates whether the electrical device has a protective earth connection.
Impeller Material	Main material of the Impeller.
Impeller Seal Material	Main material of the Impeller Seal.
InsulationStandardClass	Insulation standard classes provide basic protection information against electric shock.
IP_Code	IEC 529 (1989) Classification of degrees of protection provided by enclosures
NetPositiveSuctionHead	Minimum liquid pressure at the pump inlet to prevent cavitation.
NominalCurrent	The maximum allowed current that a device is certified to handle.
NominalFrequencyRange	The upper and lower limits of frequency for which the operation of the device is certified.
NominalRotationSpeed	Pump rotational speed under nominal conditions.
NominalVoltage	The range of allowed voltage that a device is certified to handle. The upper bound of this value is the maximum.
NumberOfPoles	The number of logical connections that can be made on an electrical device.

PhaseAngle	The angular difference between two waveforms of the same frequency
PhaseReference	The phase identification used for the device electrical input. This should be the same phase identifier that is used for the conductor segment providing the electrical service to the device.
TemperatureRange	Allowable operational range of the fluid temperature.
UsageCurrent	The current that a device is actually handling or is calculated to be handling at a point in time.

2.4 COBie Parameters

The following COBie parameters have been included within the Triton Systems Aqua Pump Pro Plus Kit BIM object and can be used to prepare COBie data schedules:

AccessibilityPerformance	Accessibility issue(s) which the product satisfies.
AssetIdentifier	The asset identifier assigned to an occurrence of a product (prior to handover).
BarCode	The identity of the bar code (or rfid) given to an occurrence of the product.
CodePerformance	Code Compliance requirement(s) which the product satisfies.
Colour	Characteristic or primary colour of product.
Constituents	Optional constituent features, parts or finishes.
Cost	Cost impact of replacement process.
Documentation	Location (Uniform Resource Information) for further product information.
DocumentReference	Location (Uniform Resource Information) for the source or updates to this product information.
Features	Other important characteristics or features relevant to product specification.
Finish	Characteristic or primary finish of product.
Grade	Standard grading which the product corresponds.
InstallationDate	The date that the manufactured item was installed.
LifeCyclePhase	Life Cycle Phase as defined in ISO 15978
Manufacturer	The organization that manufactured or assembled the item.
MethodOfMeasurement	Method of measurement
ModelLabel	The model number assigned by manufacturer.
ModelReference	The name used by the manufacturer

NominalHeight	Typically the vertical or secondary characteristic dimension.
NominalLength	Typically the larger or primary horizontal dimension.
NominalWidth	Typically the characteristic or secondary horizontal or characteristic dimension.
Process	Specification of process
ProductionYear	The year of production of the manufactured item.
ReferenceStandard	Reference standard(s) to which the product is compliant.
ReplacementCost	An indicative cost for unit replacement.
SerialNumber	The serial number assigned to an occurrence of a product by the manufacturer.
ServiceLifeDuration	The service life that an artefact is expected to have under current operating conditions.
ServiceLifeType	The typical service life that is quoted for an artefact under reference operating conditions.
Shape	Characteristic shape of product.
Size	Characteristic size of product.
SustainabilityPerformance	Sustainability issue(s) which the product satisfies.
TagNumber	The tag number assigned to an occurrence of a product
WarrantyDescription	Description of the warranty.
WarrantyDurationLabour	Duration of labour warranty (years).
WarrantyDurationParts	Duration of parts warranty (years).
WarrantyGuarantorLabour	Organization acting as guarantor of labour warranty.
WarrantyGuarantorParts	Organization acting as guarantor of parts warranty.
WarrantyStartDate	The date on which the warranty commences.

3.0 Abbreviations

nbl National BIM Library