



The National BIM Library

BIM Object Guide: Aqua Channel Rodding Eye



Version 1.0

3rd December 2012

www.nationalBIMlibrary.com

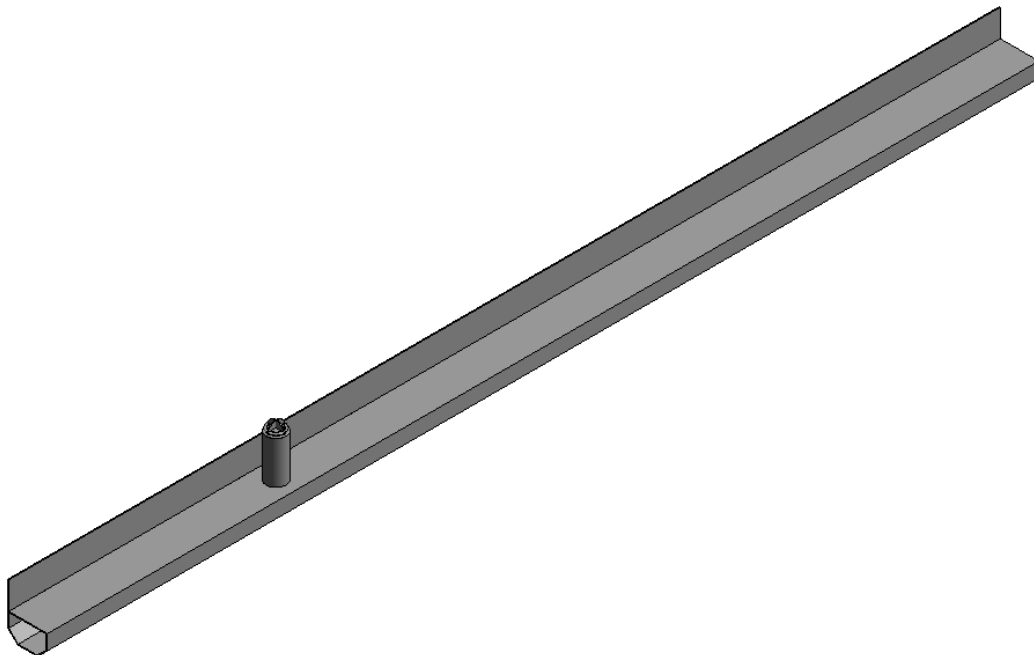
Table of Contents

1.0 Introduction	3
1.1 Naming	4
2.0 Parameters.....	5
2.1 National BIM Library Parameters	5
2.2 Manufacturers Parameters.....	5
2.3 IFC Parameters	5
2.4 COBie Parameters.....	6
3.0 Abbreviations	8

1.0 Introduction

This guide covers the use of Triton Systems Aqua Channel Rodding Eye included within the National BIM Library.

Triton Systems Aqua Channel Rodding Eye



All products listed below are included in the following file:
nbl_TritonSystems_AquaChannel-RoddingEye

Triton Systems Aqua Channel Rodding Eye

1.1 Naming

National BIM Library objects are named to identify their type and configuration. Fields are segregated using an under bar (_) and information within each field is segregated using hyphens (-). Fields are abbreviated to reduce characters and capitals used at the start of each abbreviation to aid readability.

File name and objects are named as below:

File name

Field1 *Author_***Field2** *Category_***Field3** *Manufacturer_***Field4** *Product Range*

Object

Field1 *Author_***Field2** *Manufacturer_***Field3** *Product*

2.0 Parameters

Parameters included in the National BIM Library Triton Systems Aqua Channel Rodding Eye BIM object are as follows:

2.1 National BIM Library Parameters

Author	Authors Name.
BIMObjectName	Name of the BIM object as it will appear in Software. Using NBL naming procedure.
Description	The full description of a product or system.
Help	National BIM Library website.
IssueDate	The date the object goes live.
Manufacturer URL	Manufacturer's main website link.
NBSDescription	NBS Uniclass title.
NBSReference	NBS Uniclass section/clause number.
Version	The version number of the object.

2.2 Manufacturers Parameters

Drain Holes	Diameter of drain holes in product. Measured in [mm]
--------------------	--

2.3 IFC Parameters

Note: IFC definitions have been obtained from BuildingSmart IFC2x3 website (<http://buildingsmart-tech.org>).

Material	Main material of the covering
-----------------	-------------------------------

2.4 COBie Parameters

The following COBie parameters have been included within Triton Systems Aqua Channel Rodding Eye BIM object and can be used to prepare COBie data schedules:

AccessibilityPerformance	Accessibility issue(s) which the product satisfies.
AssetIdentifier	The asset identifier assigned to an occurrence of a product (prior to handover).
BarCode	The identity of the bar code (or rfid) given to an occurrence of the product.
CodePerformance	Code Compliance requirement(s) which the product satisfies.
Colour	Characteristic or primary colour of product.
Constituents	Optional constituent features, parts or finishes.
Cost	Cost impact of replacement process.
Documentation	Location (Uniform Resource Information) for further product information.
DocumentReference	Location (Uniform Resource Information) for the source or updates to this product information.
Features	Other important characteristics or features relevant to product specification.
Finish	Characteristic or primary finish of product.
Grade	Standard grading which the product corresponds.
InstallationDate	The date that the manufactured item was installed.
LifeCyclePhase	Life Cycle Phase as defined in ISO 15978
Manufacturer	The organization that manufactured or assembled the item.
MethodOfMeasurement	Method of measurement
ModelLabel	The model number assigned by manufacturer.
ModelReference	The name used by the manufacturer

NominalHeight	Typically the vertical or secondary characteristic dimension.
NominalLength	Typically the larger or primary horizontal dimension.
NominalWidth	Typically the characteristic or secondary horizontal or characteristic dimension.
Process	Specification of process
ProductionYear	The year of production of the manufactured item.
ReferenceStandard	Reference standard(s) to which the product is compliant.
ReplacementCost	An indicative cost for unit replacement.
SerialNumber	The serial number assigned to an occurrence of a product by the manufacturer.
ServiceLifeDuration	The service life that an artefact is expected to have under current operating conditions.
ServiceLifeType	The typical service life that is quoted for an artefact under reference operating conditions.
Shape	Characteristic shape of product.
Size	Characteristic size of product.
SustainabilityPerformance	Sustainability issue(s) which the product satisfies.
TagNumber	The tag number assigned to an occurrence of a product
WarrantyDescription	Description of the warranty.
WarrantyDurationLabour	Duration of labour warranty (years).
WarrantyDurationParts	Duration of parts warranty (years).
WarrantyGuarantorLabour	Organization acting as guarantor of labour warranty.
WarrantyGuarantorParts	Organization acting as guarantor of parts warranty.
WarrantyStartDate	The date on which the warranty commences.

3.0 Abbreviations

chnl Channel

nbl National BIM Library

rdng Rodding