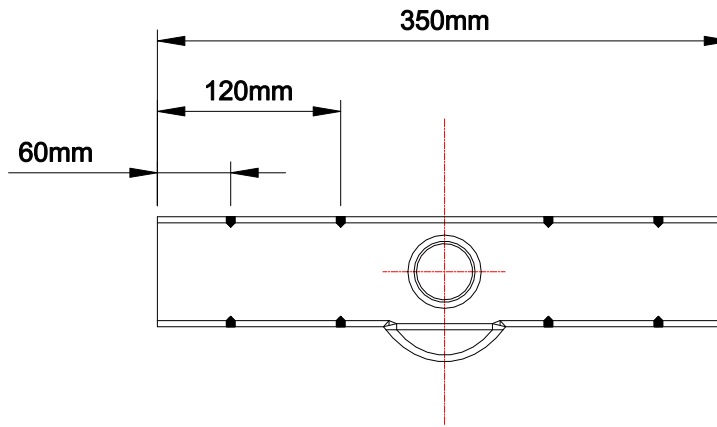
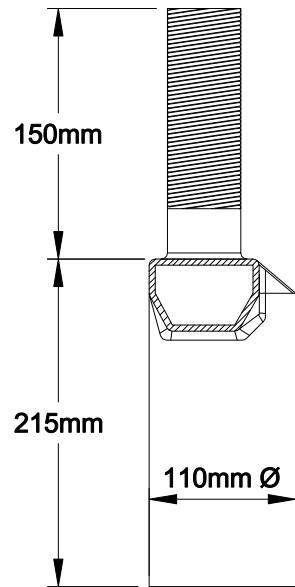


SECTION DETAIL:

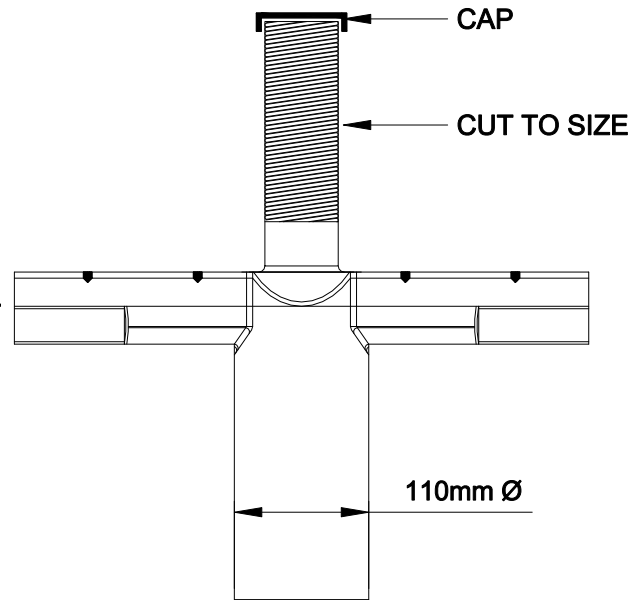


PLAN VIEW:



END ELEVATION:

UNIVERSAL CHANNEL OUTLET



FRONT ELEVATION:



www.tritonsystems.co.uk

**Triton Systems**

Units 3 - 5 Crayford Commercial Centre  
Greyhound Way, Crayford, Kent. DA1 4HF

Telephone: **01322 318830**

Fax: **01322 524017**

Email: **info@tritonsystems.co.uk**

Web: **www.tritonsystems.co.uk**

THIS DRAWING IS THE PROPERTY OF TRITON SYSTEMS AND MUST NOT  
BE LOANED OR COPIED WITHOUT PRIOR WRITTEN CONSENT

© 2013 TRITON SYSTEMS

**NOTE**

ALL INSTALLATION TO BE CARRIED OUT IN STRICT ACCORDANCE WITH  
MANUFACTURERS INSTALLATION INSTRUCTIONS. FOR FURTHER  
ASSISTANCE CONTACT TRITON TECHNICAL ON THE TELEPHONE  
NUMBER ABOVE.

| REV. | MOD. BY | DATE | CHK. BY | APP. BY |
|------|---------|------|---------|---------|
|------|---------|------|---------|---------|

**Alterations**

**TITLE:**

AQUACHANNEL DRAIN FITTING FINIAL

|                 |                     |            |
|-----------------|---------------------|------------|
| <b>DRG. No.</b> | <b>TWS-086-1(C)</b> | <b>REV</b> |
|-----------------|---------------------|------------|

|                   |                 |                      |
|-------------------|-----------------|----------------------|
| <b>DRAWN</b>      | MJK / B-L / FTC | <b>System Files:</b> |
| <b>DATE</b>       | 15th March 2013 |                      |
| <b>SCALE (A3)</b> | Not To Scale    | TWS-086-1(C).pdf     |
| <b>CHECKED</b>    |                 | TWS-086-1(C).dwg     |
| <b>APPROVED</b>   |                 |                      |