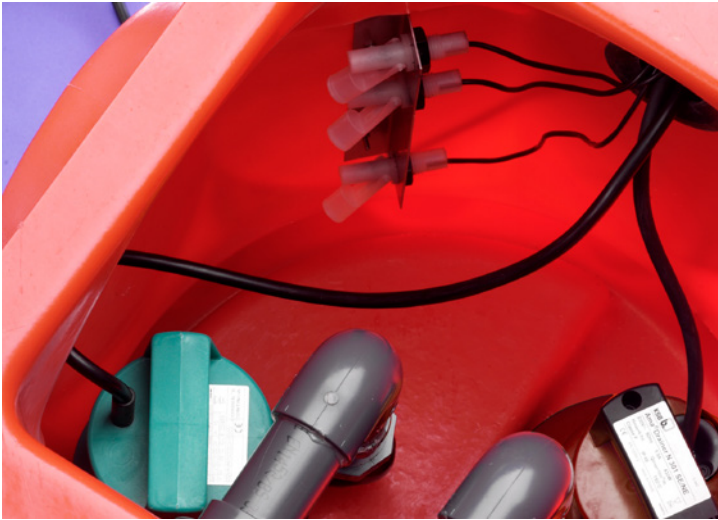


### Triton AquaPump Pro BBPS Sump Kit



#### Description

Triton AquaPump Pro BBPS is the professional choice pumping station for the removal of groundwater in basements when used in conjunction with the Platon Cavity Drain system.

The AquaPump Pro BBPS is supplied with a 'Nautilus' pump and a 24v Back-up pump as standard, other higher capacity pumps and sumps are available for deep basements or long discharge runs- see XL range. The AquaPump Pro BBPS should be the default pumping installation in any basement: industry best practice recommends that two pumps, with one powered via a back-up power source should be used. The sump chamber tank is moulded in high density polyethylene, shaped and contoured for maximum versatility and security in use. The 'waisted' moulding at the base stops floatation and secures the chamber when backfilled with concrete. Inlets from Aquachannel are easily cut with a hole saw through any of the flat panels.

Items supplied with the kit (part no. AA/2232) include:

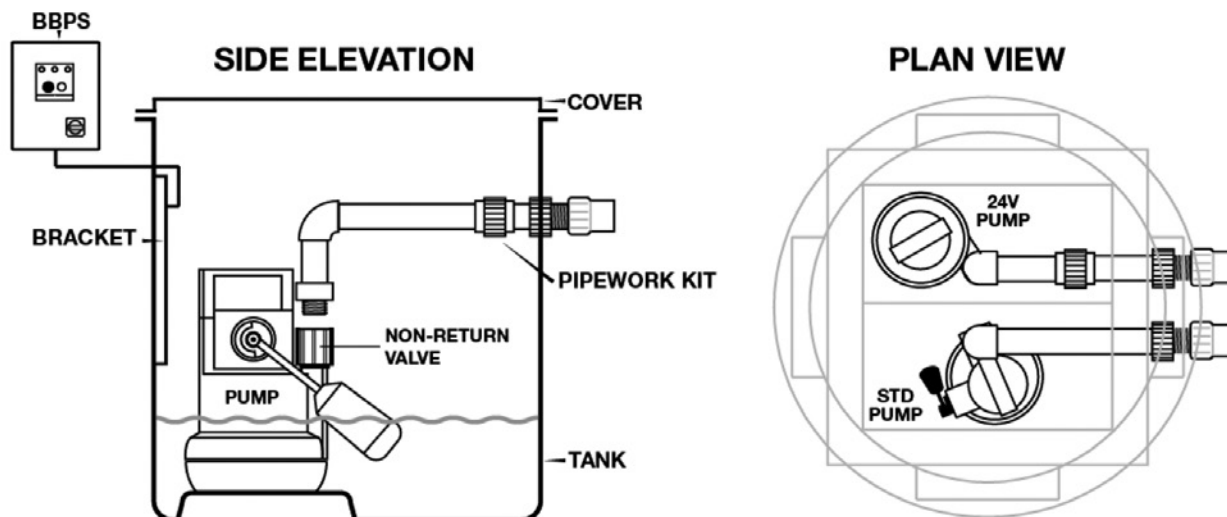
- Moulded sump chamber tank
- 24 V Power pack panel incorporating high water level alarm function (HLA)
- Lockable galvanised steel lid
- Nautilus 7m head 240v pump with non-return valve and 24v 6.5m head Battery Pump with brass NRV
- Pipe kit x 2
- Outlet/discharge line tank connectors

#### Installation

Refer to the separate Installation and Operating Guidelines documents which can be downloaded at [www.tritonsystems.co.uk](http://www.tritonsystems.co.uk)

## Technical Data

Sump chamber size:	550mm max at base, 500mm at shoulders x 600mm plus lid at 40mm. See TWS-061-1
Nautilus Pump:	Max head of water: 7M. Capacity at 3M head is 2.2 litres/sec.
24v Pump:	Max head of water: 6.5M. Capacity at 3M head is 1.7 litres/sec.
Galvanised steel lid:	360mm x 360mm
Power control panel:	240v, 13amp input, 24v output. 45-60 minutes run time. Incorporates alarm function



## Part Numbers

Parts and components can be ordered separately:

Description	Part Number
AquaPump Pro tank c/w steel cover and float bracket	AA/2235
Nautilus pump with NRV	AA/11155
Pipework Kit A	AA/2226T
Pipework Kit E	AA/2224T
BBPS, 24v pump and brass NRV	AA/2198T
110mm rubber seal for inlet pipe – not supplied in the kit	AA/17010
50mm rubber seal for cable conduit – not supplied in the kit	AA/17012

## Upgrades

Higher capacity pumps are available along with larger sump chambers (AquaPump XL) for big or deep basements. Consult the technical department for guidance.

Description	Part Number
AMA 303 with NRV: 240v, 12M head. Capacity at 6M is 2.8 litres/sec.	AA/11009
AquaPump XL sump: see separate data sheet and install guide	–
Access cover 450mm x 450mm inlay, steel	AA/18011

## Triton Contact Details:

Triton Systems  
Units 3 – 5 Crayford Commercial Centre, Greyhound Way, Crayford, Kent DA1 4HF

Tel: 01322 318 830

Fax: 01322 524 017

Email: [info@tritonsystems.co.uk](mailto:info@tritonsystems.co.uk)

[www.tritonsystems.co.uk](http://www.tritonsystems.co.uk)