

# TRITON

www.tritonsystems.co.uk

**Triton Systems**

Units 3 - 5 Crayford Commercial Centre  
Greyhound Way, Crayford, Kent. DA1 4HF

Telephone: **01322 318830**

Fax: **01322 524017**

Email: **info@tritonsystems.co.uk**

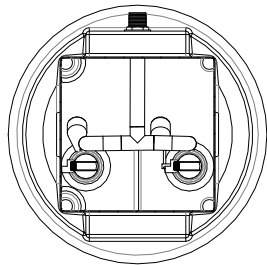
Web: **www.tritonsystems.co.uk**

THIS DRAWING IS THE PROPERTY OF TRITON SYSTEMS AND MUST NOT  
BE LOANED OR COPIED WITHOUT PRIOR WRITTEN CONSENT

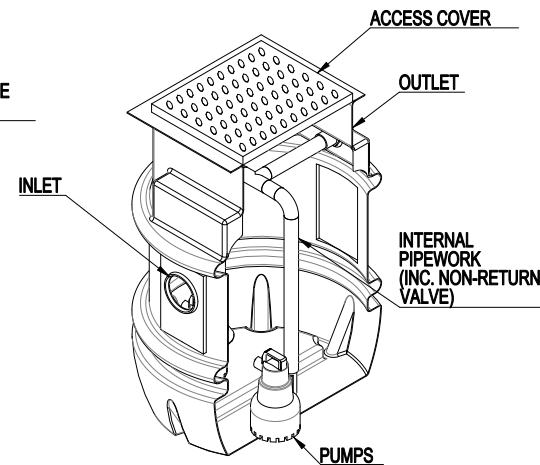
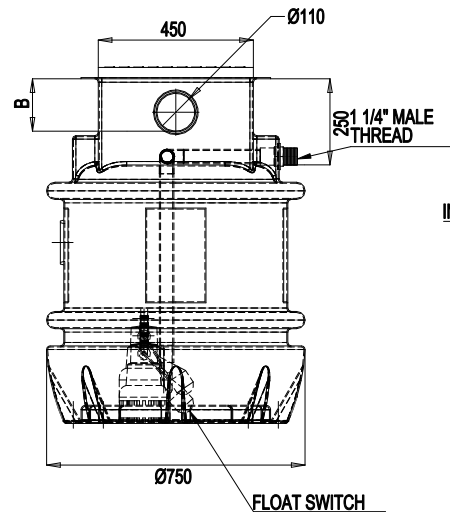
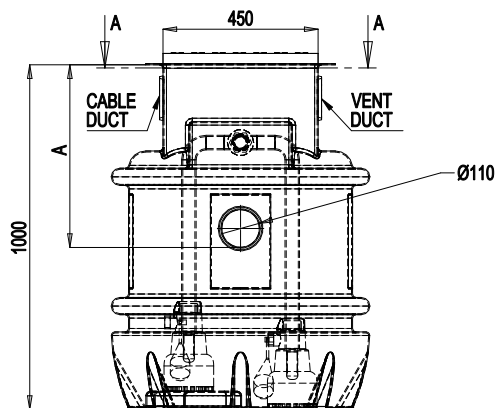
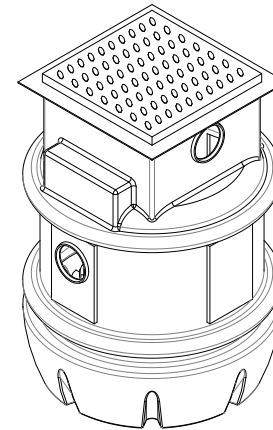
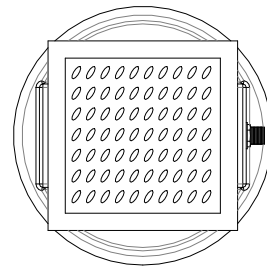
© 2015 TRITON SYSTEMS

**NOTE**

ALL INSTALLATION TO BE CARRIED OUT IN STRICT ACCORDANCE WITH  
MANUFACTURERS INSTALLATION INSTRUCTIONS. FOR FURTHER  
ASSISTANCE CONTACT TRITON TECHNICAL ON THE TELEPHONE  
NUMBER ABOVE.



SECTION A-A



A: INLET(S) TO BE POSITIONED ACCORDING TO ON-SITE SPECIFICATIONS  
TO A VARIABLE INVERT BETWEEN 500-625MM

B: CABLE DUCT / VENT TO BE POSITIONED ACCORDING TO ON-SITE  
SPECIFICATIONS

REV.	MOD. BY	DATE	CHK. BY	APP. BY
<b>Alterations</b>				

**TITLE:**

**XL PRO PLUS TWIN  
TECHNICAL DRAWING**

**DRG. No. TWS-060-1(C)**

**REV  
1**

DRAWN	TGL	System Files:
DATE	08th January 2016	TWS-060-1(C).pdf
SCALE (A3)	Not To Scale	TWS-060-1(C).dwg
CHECKED		
APPROVED		