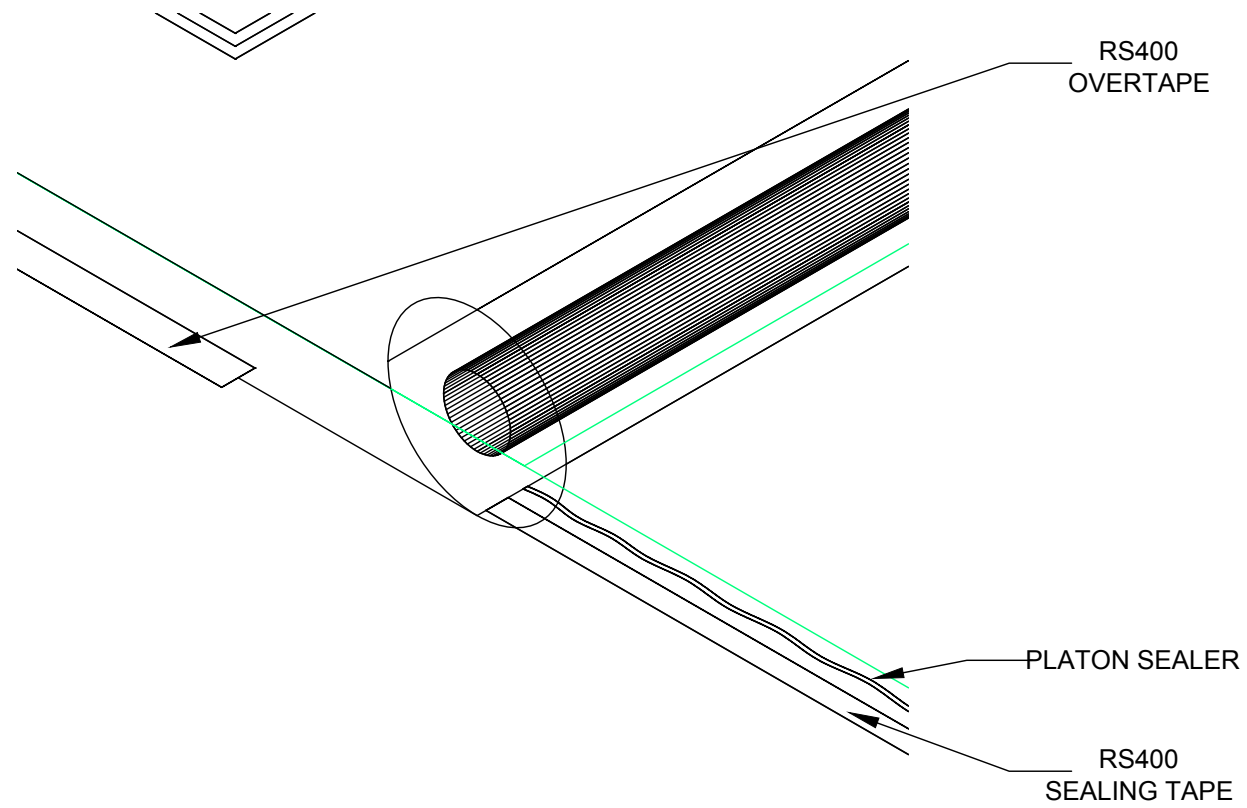
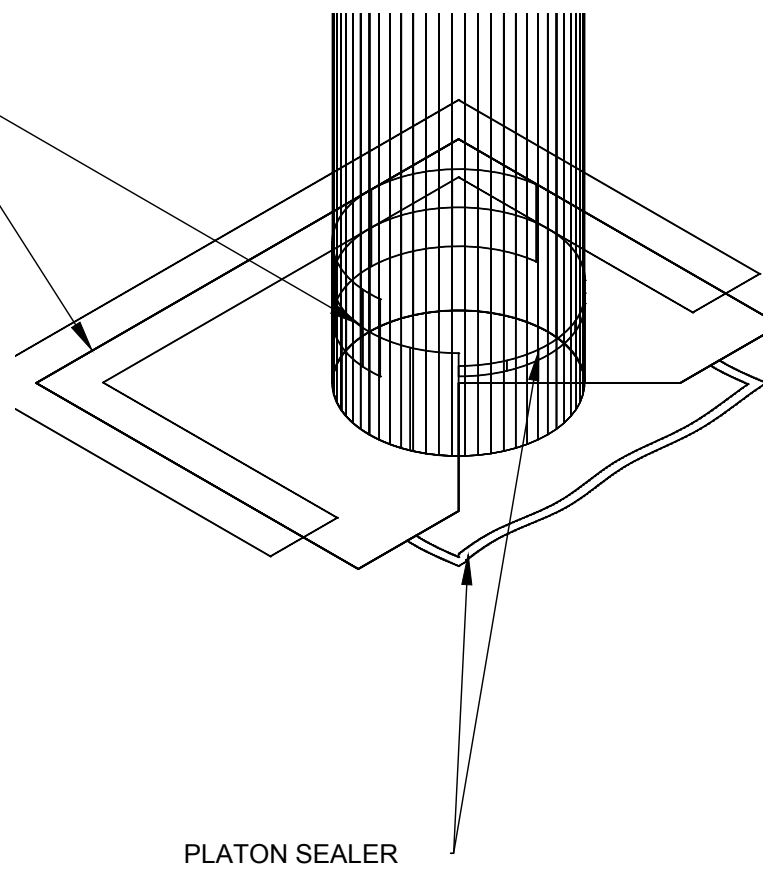


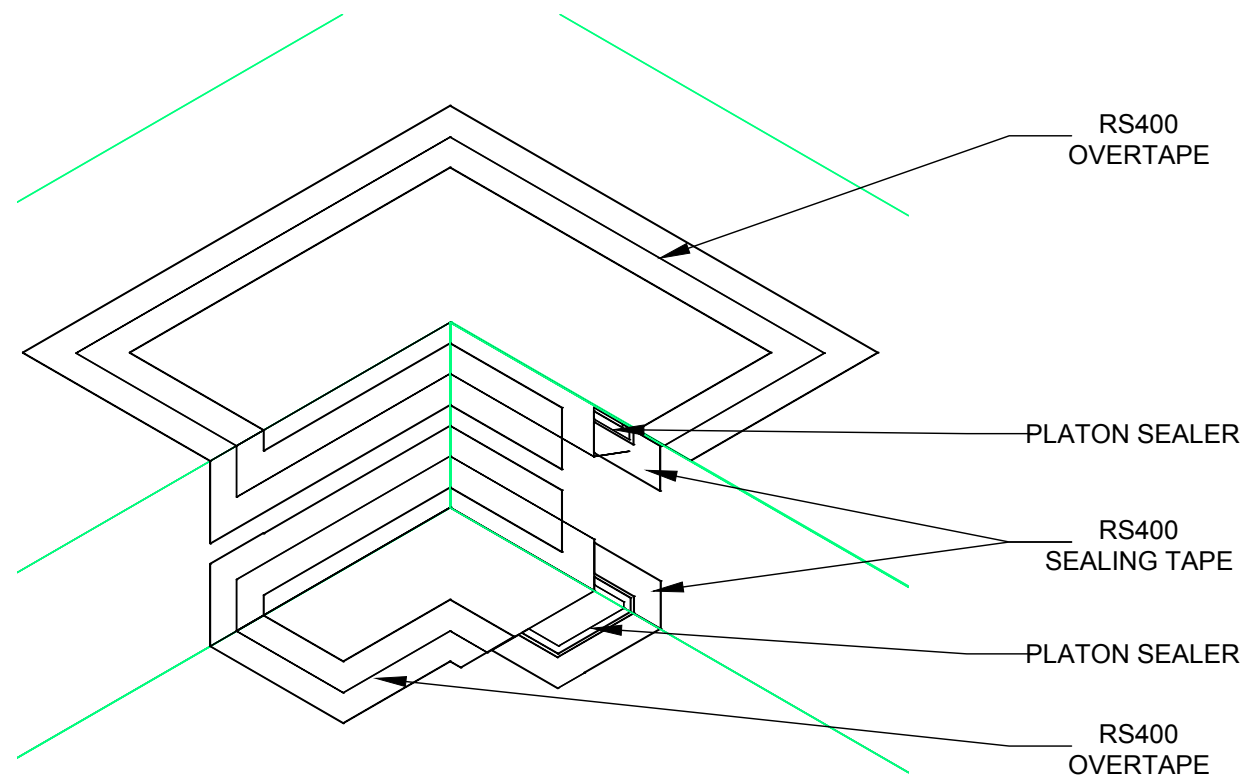
JOINT SEALING



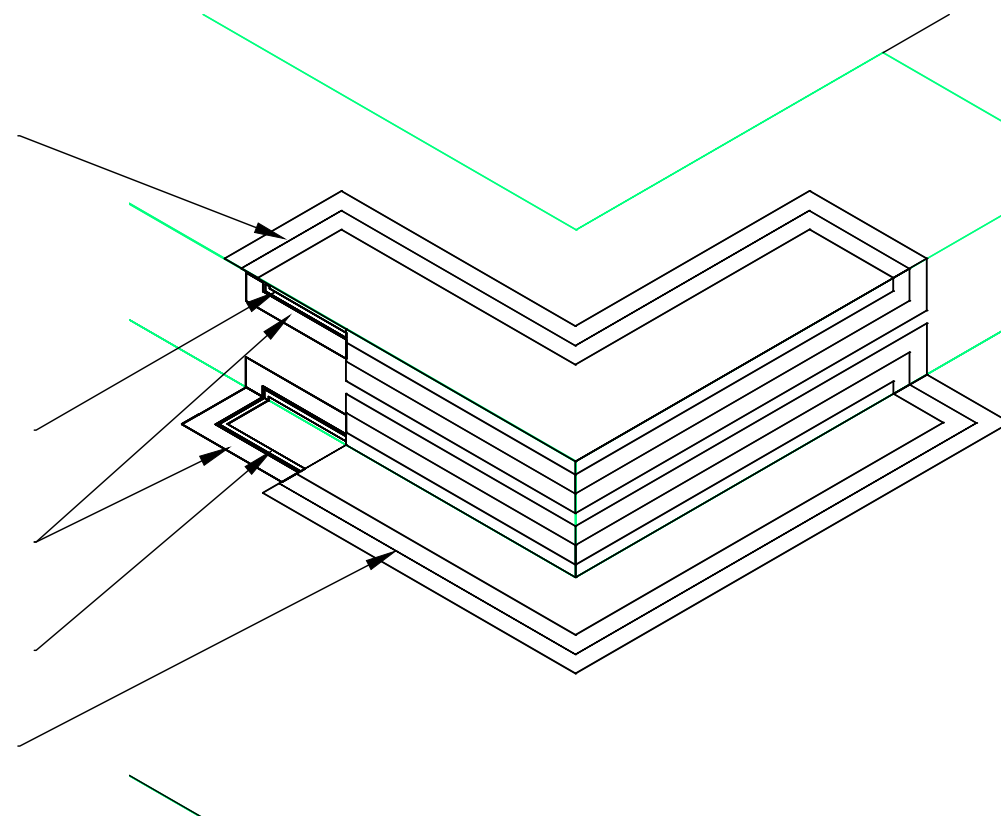
SERVICE SEALING



INTERNAL CORNER SEALING



EXTERNAL CORNER SEALING



www.tritonsystems.co.uk

Triton Systems

Units 3 - 5 Crayford Commercial Centre
Greyhound Way, Crayford, Kent. DA1 4HF

Telephone: **01322 318830**

Fax: **01322 524017**

Email: info@tritonsystems.co.uk

Web: www.tritonsystems.co.uk

THIS DRAWING IS THE PROPERTY OF TRITON SYSTEMS AND MUST NOT BE LOANED OR COPIED WITHOUT PRIOR WRITTEN CONSENT

© 2011 TRITON SYSTEMS

NOTE

ALL INSTALLATION TO BE CARRIED OUT IN STRICT ACCORDANCE WITH MANUFACTURERS INSTALLATION INSTRUCTIONS. FOR FURTHER ASSISTANCE CONTACT TRITON TECHNICAL ON THE TELEPHONE NUMBER ABOVE.

REV.	MOD. BY	DATE	CHK. BY	APP. BY
Alterations				

TITLE:
Joint/Service/Corner Sealing
Details for Radon Stop 400

DRG. No. TGS-013-1 **REV** 2

DRAWN	JDF, CBS	System Files:
DATE	9th November 2009	
SCALE (A3)	Not To Scale	TGS-013-1.pdf
CHECKED		TGS-013-1.dwg
APPROVED		